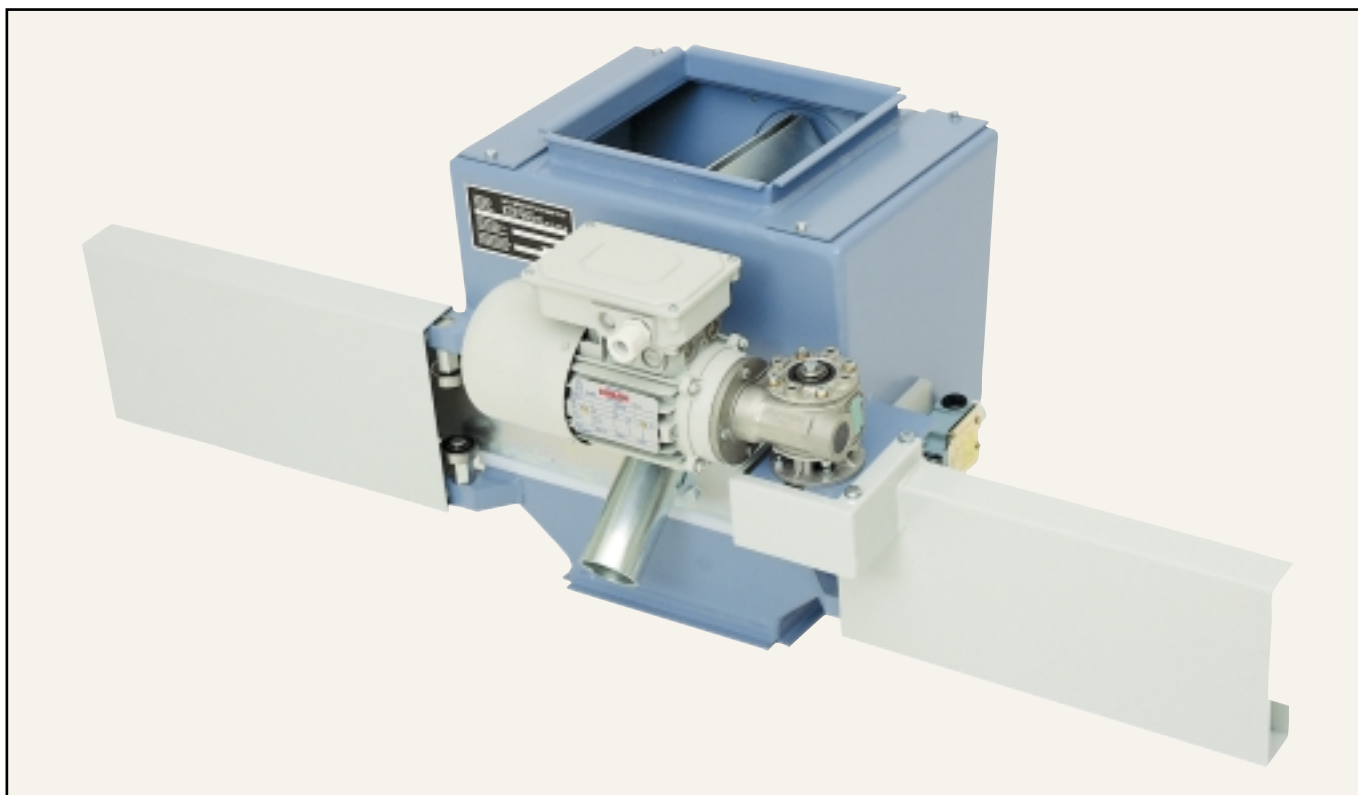


rational kornservice

Automatic sampler for cereals, feedstuffs, seeds and similar bulk flow solids



Sampler model 200 DV8

Benefits:

- 1 100% representative sample, thereby maximising control.
- 2 Optimum productivity – the possibility of error in sample taking is eliminated as sampling is automatic.
- 3 Rapid payback period, with the benefit of continued improved contributions thereafter.
- 4 Reliable, maintenance free construction.
- 5 In addition to cereals will sample feedstuff, seeds, rice, soybeans, milled products – in fact most bulk flow solids.
- 6 Remote control facility.

Operation

Sampling is effected by means of a diverter with an open slot in the leading edge. The diverter is moved automatically through the stream (e.g. grain), see principal sketch. Thus a correct sample is taken from across the

spout area, not just at the side or in the centre of the flow.

Test interval is stepless adjustable from 1 test/5 seconds or 1 test/hour.

A remote control facility also exists whereby it is possible to switch on the sampler from a central controlroom; alternatively to let it operate on elevator control.



Controlpanel with timer

Manufacturer:

A/S Rational Kornservice

Gammelby Møllevvej 4
DK-6700 Esbjerg
Denmark

Phone: +45 75 12 25 88
Telefax: +45 75 12 90 89
E-mail: info@rako.dk

Agent:

Capacities:

Size of the single sample will depend on the spout flow rate and the size of the slot in the diverter.

The standard slot is 8 mm. Other openings can be supplied on request. The slot can easily be changed on site.

Specification:

Housing: rilsan covered steel plate.

Other metal components are electrogalvanised. All electric equipment with gear motor, limitswitch and control panel including motor-protecting relay and timer.

Power Supply: 3 phase 400 V, 50 Hz.
3 phase 230 V, 50 V.

Installation:

The sampler must be installed in a vertical spout. Maximum permissible deviation from the vertical is 25°.

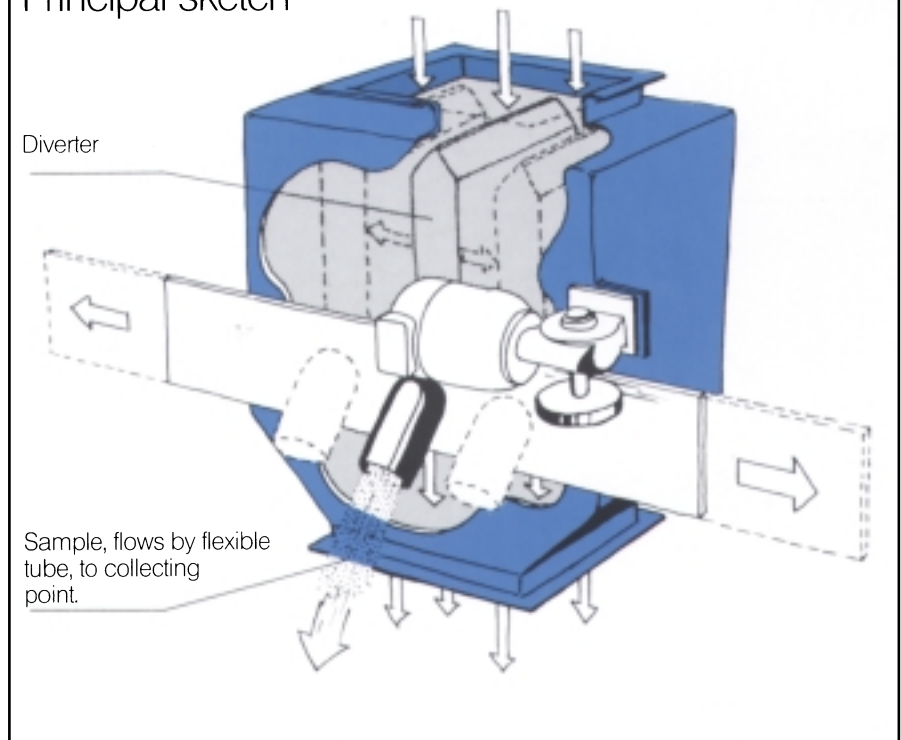
Flange for model 200 DVB is 200 x 200 mm.

Flange for model 300 DVB is 300 x 300 mm.

Flange for model 400 DVB is 400 x 400 mm.

Flange are pre-bored for bold assembly; flanges and bolts are included.

Principal sketch



Dimension:

(A B C D - refer to letters on the drawing)

	A	B	C	D	kW	Weight	In-/outlet	Tube
200 DVB	700	350	405	400	0,06	36 kg	200/200	Ø 50
300 DVB	1080	550	620	550	0,18	85 kg	300/300	Ø 76
400 DVB	2100	700	800	720	0,75	180 kg	400/400	Ø 76

